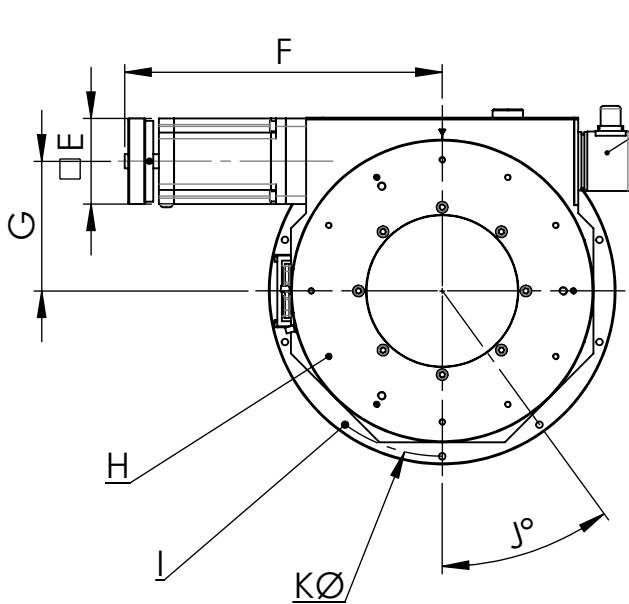
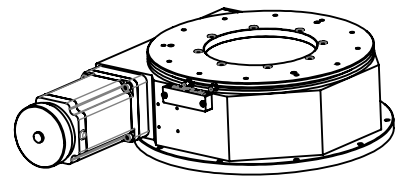
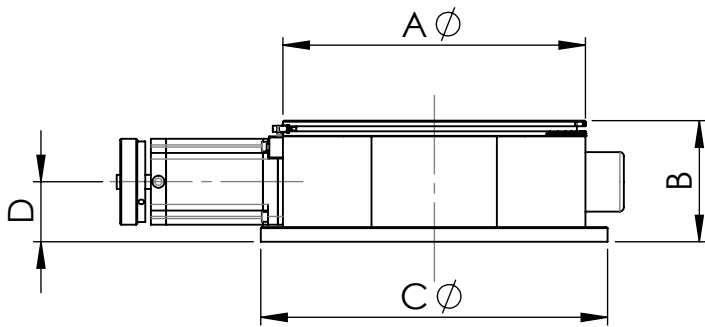
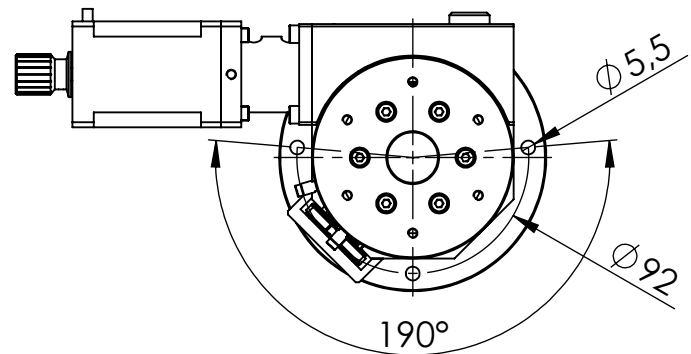


## ROTATION TABLE

MODEL NO.	A	B	C	D	E	F	G	H	I	J	K	AXIAL LOAD BEARING CAPACITY
RT 80	80	50	106	24.5	42	157.5	33	6xM4/Ø60	-	-	-	200 daN
RT 120	120	60	145	30.3	56.4	159	51	8xM4/Ø100	5xØ5.5	45°	Ø130	500 daN
RT 200	200	92	240	45	56.4	187	81	8xM5/Ø160	7xØ5.5	36°	Ø224	900 daN
RT 300	300	120	344	59.5	85	315	128.6	12xM6/Ø260	7xØ6.5	36°	Ø328	2000 daN
RT 450	450	116	465	58	85	380	220.5	12xM8/Ø400	9xØ9	30°	Ø445	2800 daN



ENCODEUR  
ON REQUEST



MODEL NO. RT 80